

# Fact Sheet

## XC II 300 Pro

# BIZERBA

*Modern PC technology in a compact design is what the X-Class II Pro series stands for. This multifunctional device allows convenient, intuitive and fast operation via touchscreen. Enjoy more performance due to a large RAM. All models are provided with a powerful Intel® Quad Core processor. Ideally suitable for new features or individual requirements.*



**More information**  
High performance  
with a wide range of  
solutions and options.

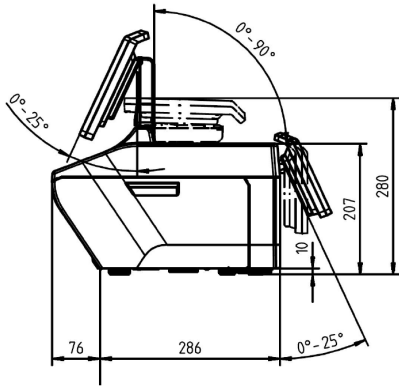
Specifications	Facts	Details
<b>Color</b>	Anthracite gray	RAL 7016
<b>Operator display</b>	10.1" touch TFT	Resolution: 1,024 x 600 (WSVGA) LED backlit Resistive 5-wire touch technology Infinitely inclinable: adjustable viewing angle
	15.6" touch TFT	Resolution: 1,366 x 768 (HD/WXGA) LED backlit Resistive 5-wire touch technology Infinitely inclinable: adjustable viewing angle
<b>Customer display</b>	No customer display	
	7" TFT	Resolution: 800 x 480 LED backlit
	10.1" TFT	Resolution: 1,024 x 600 (WSVGA) LED backlit
<b>Operating system</b>	Windows 10 IoT Enterprise 2016 LTSB	64 bit Windows
	BizLPOS3 OpenSuse® ≥ 42.1 Leap Kernel 4.2	64 bit Linux
<b>Application software</b>	RetailPowerScale	Bizerba scale software, compatible with Retail-Framework products
	RetailIntegratorsKit (RIK)	3rd-party software
<b>Processor</b>	Intel® Celeron® Processor N3160 Quad Core	Clock rate of up to 2.24 GHz
		L2 cache: 2 MB
		Instruction set: 64 bit Integrated graphics card: Intel® HD Graphics 400
<b>Working memory</b>	DDR3	4 GB RAM
<b>Mass memory</b>	SSD	60 GB, optionally 120 GB
<b>Printer</b>	3" label printer	print speed up to 150 mm/s, depending on the paper used
	3" receipt / linerless printer	Up to 3"/76 mm paper width, 200 dpi *Not recommended for industrial labeling
<b>External additional printer</b>	Usage of the Bizerba power supply unit	KF 3" receipt / linerless printer
	RSP 28 allows to use the following printers of the K-Flex series as external additional printer.	KF 3" label printer
		KF 2" L Compact receipt / linerless printer

<b>Interfaces</b>	2 x USB 3.0 2 x USB 2.0 2 x COM LAN Audio output Cash register drawer connection (COM)	Super speed High speed DSUB, RS232 RJ45, GBit LAN 3.5 mm jack RJ12
<b>Weighing ranges</b>	Connection of external load receptors	Weighing ranges up to 150 kg
<b>Temperature range</b>	-10 °C to +40 °C	
<b>Power consumption</b>	In stand-by 2.4 W During operation typically 20 W	Energy saving thanks to use of Wake on LAN
<b>Net weight of device</b>	XC II 300 Pro (10.1"/no customer display)	Approx. 10.5 kg
<b>Software extensions</b>	RetailApps Software modules: Cash register, scanning, e-cash, inventory, shrink re-weigh, returns, delivery note, return delivery, cash invoice, order, sum QR barcode, Content Flash, proof of origin, time registration, video journal, RetailConnect	Extra software function per RetailApps Extra software functions per module
<b>WLAN modules</b>	BWLC  USB	Bizerba Wireless LAN Client 802.11 a/b/g max. 54 MBit/s USB WLAN stick, no floating sales mode possible 802.11 a/b/g/n max. 300 MBit/s

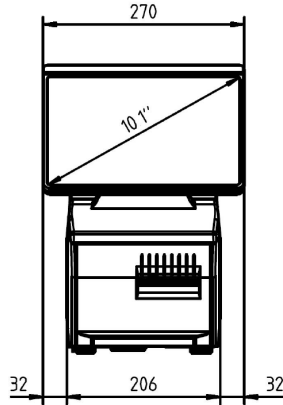
### Info graphics



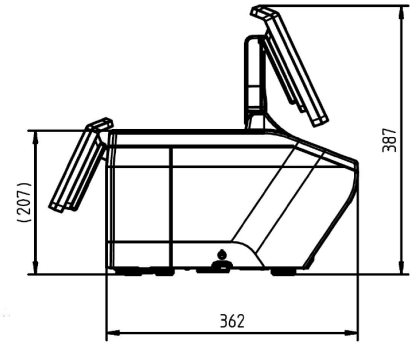
**Dimensional drawings**



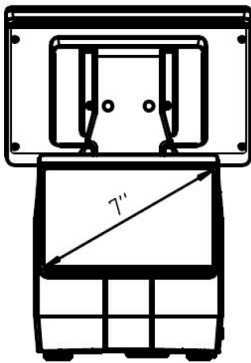
XC II 300 Pro side view (10.1"/7")



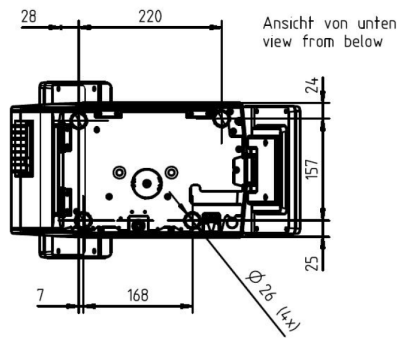
XC II 300 Pro operator side (10.1")



XC II 300 Pro side view (10.1"/7")



XC II 300 Pro customer side (10.1"/7")



XC II 300 Pro bottom view (10.1"/7")

**Bizerba SE & Co. KG**  
 Wilhelm-Kraut-Straße 65  
 72336 Balingen

T +49 7433 12-0  
 fax: +49 7433 12-2696  
 marketing@bizerba.com

[www.bizerba.com](http://www.bizerba.com)