

Fact Sheet

iS50 weighing terminal

BIZERBA

Powerful, robust and freely programmable. iS50 - the all-rounder among the weighing terminals. Not only because it is suitable for numerous applications thanks to its comprehensive application software, but also because it is already fitted with Codesys. Thus the iS50 is freely programmable and can also use the integrated Soft-PLC.



More information
High performance
with a wide range of
solutions and options.

Specifications	Facts	Details
Housing	Front: Stainless steel	1.4301
	Housing: Stainless steel	1.4301
	Wall / table mounting	
Dimensions (mm):	w/o table-top/wall mounting	344 x 254 x 123 mm (W x H x D)
Auxiliary power	Mains supply 100 - 240 V	50/60 Hz
	24 V AC / DC	
	24 V DC, rechargeable battery	
Protection class	IP65 IP69	according to DIN 40050 (EN 60529)
Ambient temperature	Operation metrologically approved	-10 °C to +40 °C
	Storage / transport	-20 °C to +60 °C
Display	Fully graphic TFT display with white LED backlighting	– Size 7" – Resolution 800 x 480 pixels – Display field 165 x 95 mm
Membrane keyboard	Membrane keyboard with 24 individual keys and integrated display field	QWERTY keyboard
Standard interfaces	ETHERNET	10 / 100 Mbit
	USB	Master / Slave
	Service interface USB	
	4 I/O	
Scale interface	Weighing module 1 to 3	Analog scale
		Digital scale
		Pesa scale
Application programs	Basic software weighing	More software programs optionally available
Cycle times	≥ 20 ms	for cycle times < 20 ms clarification with application management
EC type approval	D08-09-028, 4th revision	PTB-1.12-4067644

Options	Facts	Details
Interfaces	RS232 RS232, 500 mA RS422 Field bus Analog output USB 8 inputs / 8 outputs - expansion I/O power supply External WM	galvanically isolated galvanically isolated galvanically isolated Profibus DP Slave, 12 MBit Profinet IO 16 Bit Master total of 12 inputs / 12 outputs per weighing module (max. 36 I/O) Internal, 12 V, 500 mA, galvanically isolated via CAN bus
Second and third scale interface	Weighing modules 2 and 3	– Analog digital converter for strain gauge load cells – Pesa interface – Precision scale connection RS232 MP8-4 (200 ms)
ES for verified application	Metrologically approved data storage Basic	incl. SD card
Application programs, program licenses	Counting Tolerance control Statistics Dosing Dynamic calibration In-motion weighing Price calculation Recording database Data input devices Data output devices Field bus	SW program counting SW program tolerance control SW program statistics SW program single-component dosing / filling Only in connection with Bizerba conveyor technology Only in connection with Bizerba conveyor technology SW program price calculation For EDP / printer Connection volume measuring device, scanner ... Connection of printer, remote display ... Profibus DP, Profinet IO
Rechargeable battery	Battery box 24 V	– 24 V DC, capacity 10 Ah – Stainless steel housing with handle – IP65 protection – Connection via flange connector – Operating time approx. 12-35 hours, depending on configuration level
Charger	Charger for battery box 24 V	– Power supply 220/240 V, 50 Hz – 24 V with European standard size plug – Protection type IP20
Battery holder	Version stainless steel	
Measuring cable	3 m, 6 m, 10 m or running meter up to 50 m	Optionally available as pluggable measuring cable
Data and control cables	Different data and control cables, 3 m, 6 m, 10 m or running meter	
Control panel installation	installation variant in control panel Stainless steel 1.4301 Protection class IP65	370 x 280 x 124 mm (W x H x D)
Ex version	iS50-Z2 and iS50-Ex	For use in Ex zones 2/22 and 1/21
Column	Stainless steel column	1.4301
Protective hood	Polyurethane	Walopur 2201 U

Infographic



Symbols



Protection Class IP65



Protection Class IP69



Strain gauge load cell connector



Precision scale connector



String technology connector



Ex-Zone 2/22



Stainless steel

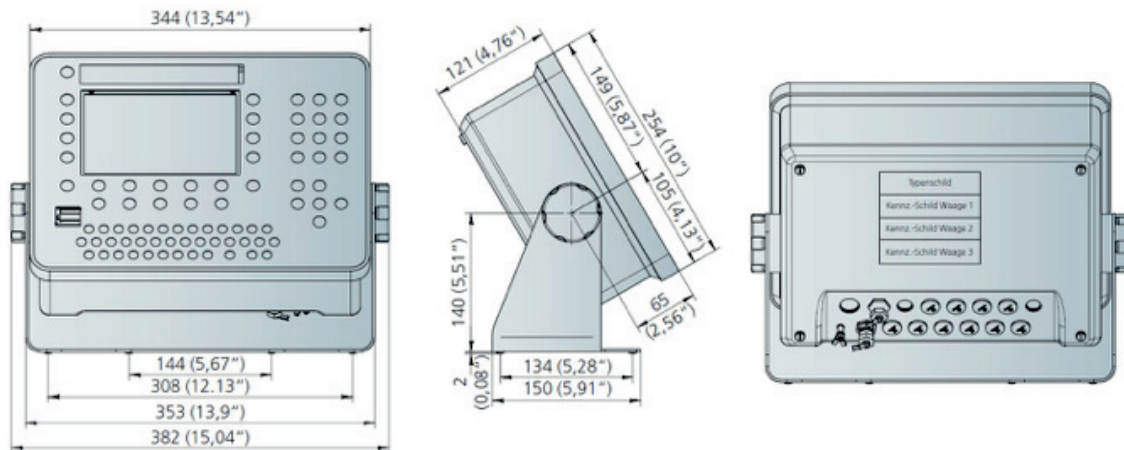


Counting



Tolerance control

Dimensions



Bizerba SE & Co. KG
Wilhelm-Kraut-Straße 65
72336 Balingen
Germany
T +49 7433 12-0
F +49 7433 12-2696
marketing@bizerba.com

www.bizerba.com