

Data Sheet

BIZERBA

iL Special 450WSF/MP

Integrated in the automatic conveyor system the conveyORIZED overhead rail scale iL Special 450WSF/MP shows all its strengths: A robust design, quick and precise weighing results and a high throughput.



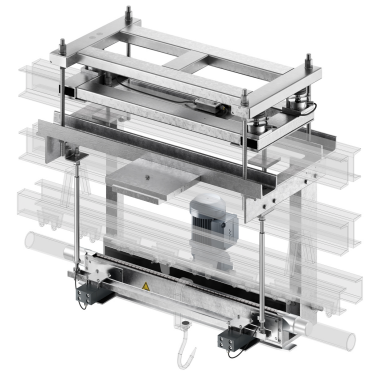
More information
High performance
with a wide range of
solutions and options.

Product description

In combination with weighing terminal iS30 or iS50 the iL Special 450WSF/MP exactly determines weight values in dynamic operation and forwards them to higher-ranking systems. The conveyORIZED overhead rail scale with special conveyor chain, sliding guide, chain tensioning device and drive motor guarantees optimal, dynamic weighing.

Application areas of the iL Special 450WSF/MP:

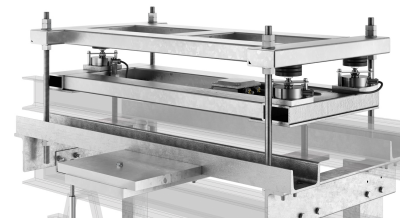
- Goods receiving and dispatch
- Slaughtering
- Classification
- Cold room in and out
- Weighing of hams
- Cutting in and out
- Dispatch



iL Special 450WSF/MP

Highlights

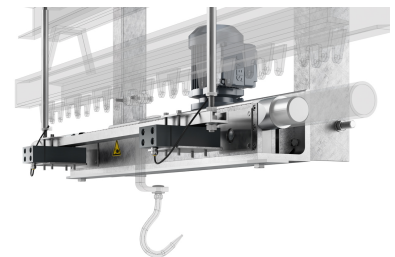
- Robust design for harsh industrial applications in the meat area
- Load capacity up to 400 kg
- Maximum conveyor speed in metrological operation: 0.3 m/s
- High protection type
- Independent conveying system incl. control cabinet
- Maintenance-free and service-friendly construction
- Easy integration in tubular rail systems
- Almost shock-free feeding and discharge of product
- Highest precision due to Bizerba bending ring load cells



iL Special 450WSF/MP

Options

- Tubular rail connection steel tube or steel tube with plastic interior
- Version with one or two light sensors
- Weighing terminal iS30 or iS50 with Dynamic weighing license
- Control cabinet with integrated frequency converter
- Various dimensions with weighing rail lengths 560 mm, 660 mm, 710 mm, 870 mm and for projects also 410 to 1,200 mm



iL Special 450WSF/MP

My Bizerba

We offer you solutions from a single source which can be customized and allow you to respond to any change in a flexible manner. Benefit from costs which can be planned and efficient processes. We are happy to advise you.

Bizerba SE & Co. KG
Wilhelm-Kraut-Straße 65
72336 Balingen

T +49 7433 12-0
fax: +49 7433 12-2696
marketing@bizerba.com

www.bizerba.com