

Fact Sheet

iL Special 150T/SP

BIZERBA

The iL Special 150T/SP is entirely made of stainless steel and specifically designed for wall mounting. The load platter may be folded up, if needed. It saves space and simplifies thorough cleaning. An integrated rear wall ensures exact weighing results.



More information
High performance with a wide range of solutions and options.

Specifications	Facts	Details
Weighing range		metrologically approved interval
	30 kg	10 g
	30/60 kg (dual range)	10/20 g
	30/60 kg (dual interval)	10/20 g
	60 kg	20 g
	60/120 kg (dual range)	20/50 g
	60/120 kg (dual interval)	20/50 g
	150 kg	50 g
Dimensions	550 x 445 mm	W x D
Materials	All stainless steel	
Mounting method	Wall scale	Fastening with mounting screws and dowels
IP rating	IP68	
Ambient temperature	-10 °C to +40 °C	Operation
	-20 °C to +60 °C	Storage

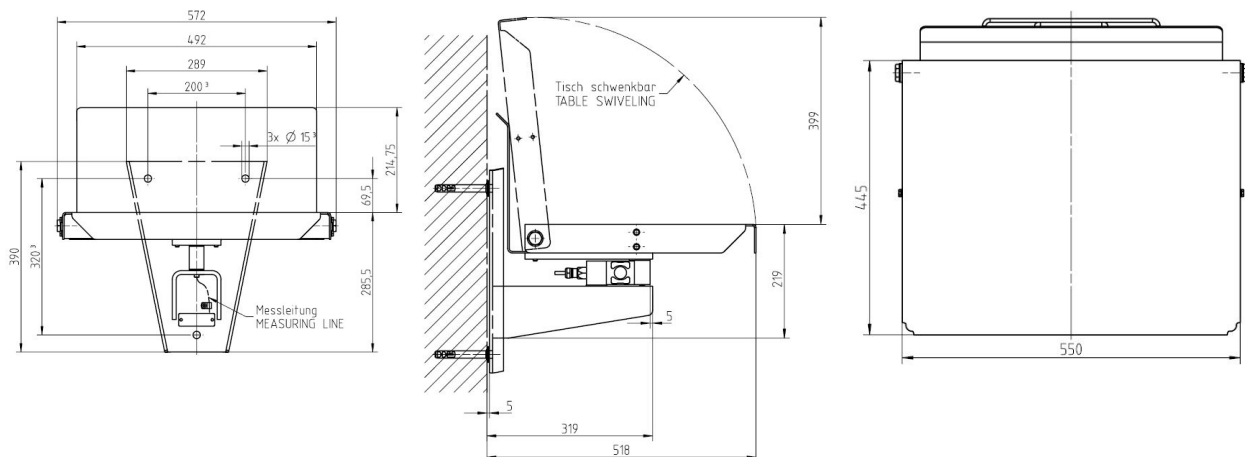
Options	Facts	Details
Additional equipment	Threaded rods and mounting material	For fastening through the wall (e.g. cavity walls)

Symbols



IP68 rating Table Single Point SG

Dimensional drawings



Bizerba SE & Co. KG

Wilhelm-Kraut-Straße 65
72336 Balingen

T +49 7433 12-0
fax: +49 7433 12-2696
marketing@bizerba.com

www.bizerba.com