

Q1

The innovative retail scale Q1 is ideally suitable for assisted sales, self-service and price labeling. A capacitive touch screen with intuitive GUI allows easy and efficient use of the Q1. The particularly flat load platter provides customers with an optimal view of the products. Thanks to a sleek design, your team has unhindered access to the products in the deli counter.



More information
High performance
with a wide range of
solutions and options.

Specifications	Facts	Details
Variants	Q1 800 – Counter scale	Operator display: 10" Customer display: Without/7"
	Q1 800 – Self-service scale	Operator display: 12"
	Q1 400 – Hanging scale	Operator display: 10" Customer display: 7"
	Q1 100 – Counter top scale	Operator display: 10" Customer display: Without/7"/7" on a stand
	Q1 100 – Self-service scale	Operator display: 12"
	QBase	As external load receptor, via USB
Color	Signal black	RAL 9004
Operating system	Linux Debian 10 64 bit Kernel	64 bit Linux
Device software	RetailStore	Bizerba device software
Processor	Rockchip RK3399 (hexa-core)	Dual-core Cortex-A72 up to 1.8 GHz; Quad-core Cortex A53 up to 1.4 GHz
Working memory	DRAM	2 GB (LPDDR4)
Mass memory	eMMC	32 GB
Operator display	10" display with touch screen (capacitive)	– Resolution: 1024 x 600 px – Infinitely adjustable viewing angle (adjustment range see dimensional drawing) – Antireflective glass – Can be operated with gloves
	12" display with touch screen (capacitive)	– Resolution: 1280 x 800 – Infinitely adjustable viewing angle – Antireflective glass – Can be operated with gloves
Customer display	7" display	– Resolution: 800 x 480 px – Infinitely adjustable viewing angle (adjustment range see dimensional drawing)
2" receipt/linerless printer or 2" receipt/label printer	Print speed	– Max. 100 mm/s
	Roll diameter	– Standard 105 mm – Max. 120 mm possible
	Roll width	– Max. 58 mm
	Auto-cutter for receipt/linerless (option)	– Properties depending on paper quality and amount of adhesive – More than 500,000 cuts without blade change This performance can be guaranteed with Bizerba paper. Paper from third party providers may not achieve the same results.

Interfaces	1 x USB 3.0 type A	Super speed
	2 x USB 2.0 type A	High speed
Weighing ranges	RJ45	Ethernet LAN 10/100/1,000 MBit/s
	1 x RJ12	For connection to cash register drawer
	3/6 kg	Scale interval 1/2 g, minimum load 20 g
	6 kg (Italy)	Scale interval 1 g, minimum load 20 g
	12 kg (Italy)	Scale interval 2 g, minimum load 40 g
	6/15 kg	Scale interval 2/5 g, minimum load 40 g
	15/30 kg	Scale interval 5/10 g, minimum load 100 g
	30 kg	Scale interval 5 g, minimum load 100 g
	15/30 lb (USA)	Scale interval 0.005 lb, 0.01 lb, minimum load 0.1 lb
	60 lb (USA)	Scale interval 0.01 lb, minimum load 0.2 lb
Temperature range & humidity	60 lb (USA)	Scale interval 0.02 lb, minimum load 0.4 lb
	None	Additional weighing ranges up to 150 kg thanks to connection of external load receptors
	-10 °C to +40 °C	For variant bakery (B)/separate load receptor (G)
Power supply	Max. 90 %	Operating temperature
	120-240 V	Relative humidity (non-condensing)
Power consumption	In operation: 12 W	Energy-saving mode with Wake-on-LAN/WLAN for energy saving
		With RetailStore in operation, without additional consumers (e.g. printer)
Net weight (without packaging)	14.4 kg	Q1 100
	13.6 kg	Q1 800

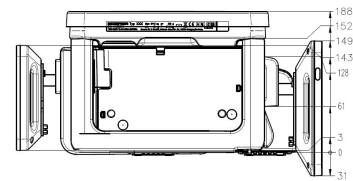
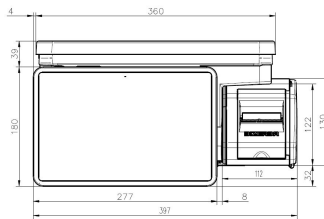
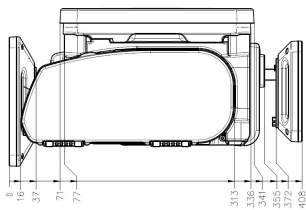
Options	Facts	Details
WLAN module	Optional and retrofittable	Frequency range: 2.4 GHz - 5.0 GHz
Software modules	Software modules: Cash register, scanning, e-cash, inventory, delivery note, proof of origin, time recording, video journal, totals QR code	Extra software functions per module
Management software	RetailControl	Additional software in order to track and manage devices, data and updates

Info graphics





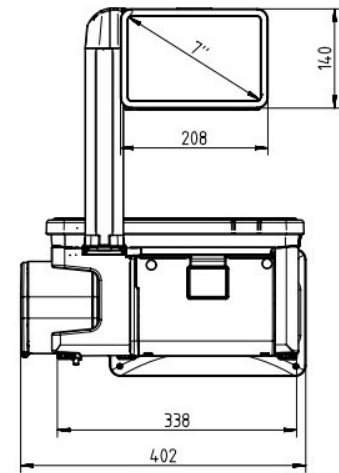
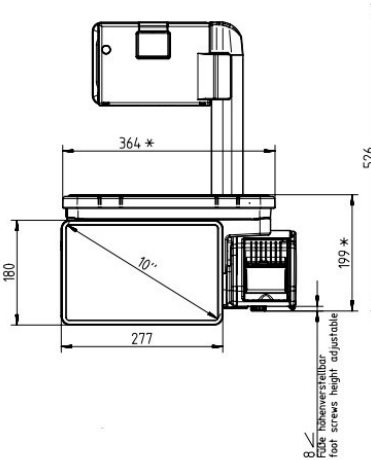
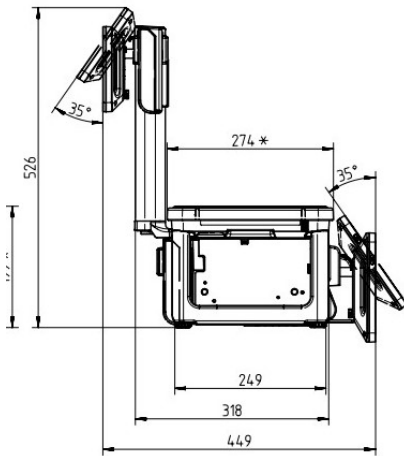
Dimensional drawings



Q1 100 side view, right

Q1 100 front

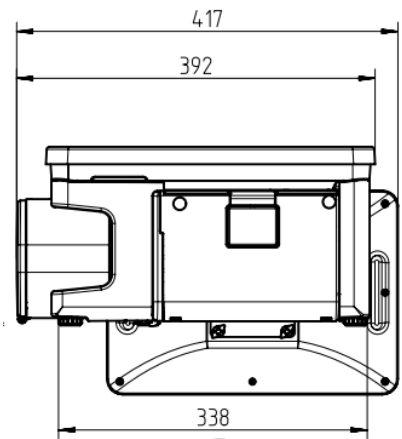
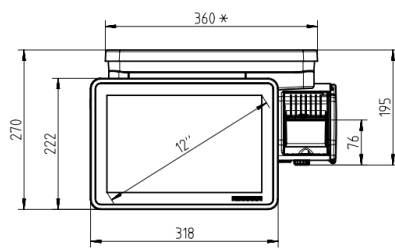
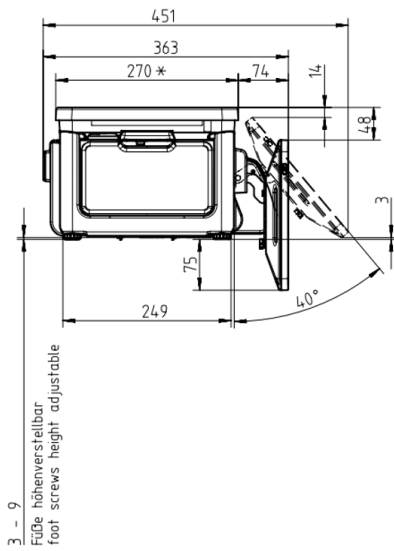
Q1 100 side view, left



Q1 100 with customer display on stand, side view, left

Q1 100 with customer display on stand front

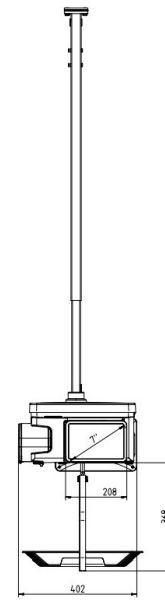
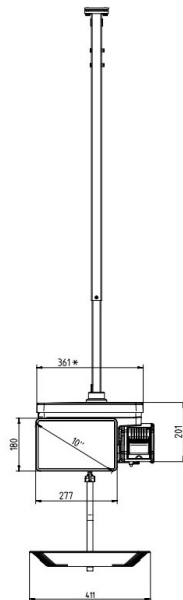
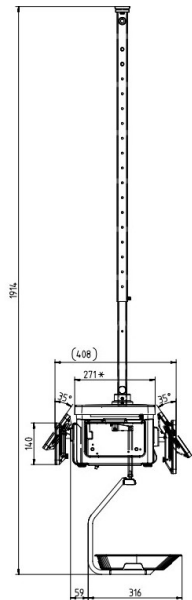
Q1 100 with customer display on stand back



Q1 100 12" side view, left

Q1 100 12" front

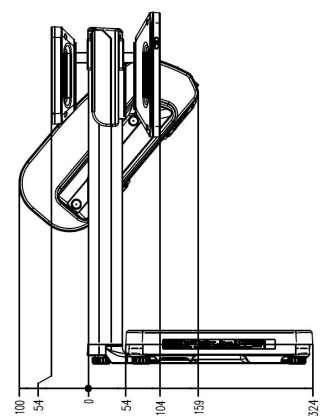
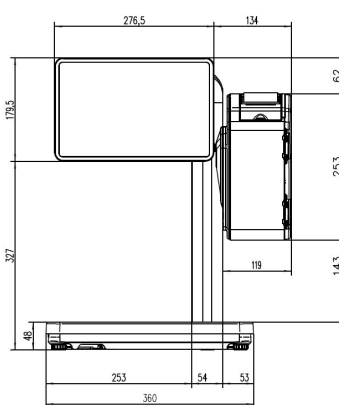
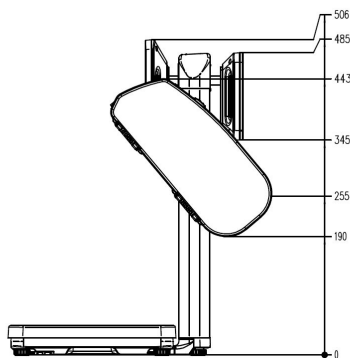
Q1 100 12" back



Q1 400 side view, left

Q1 400 front

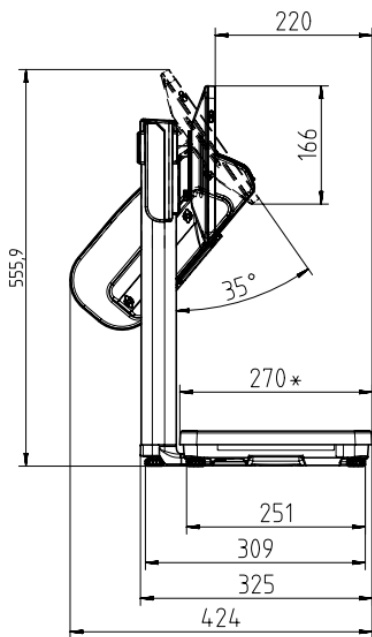
Q1 400 back



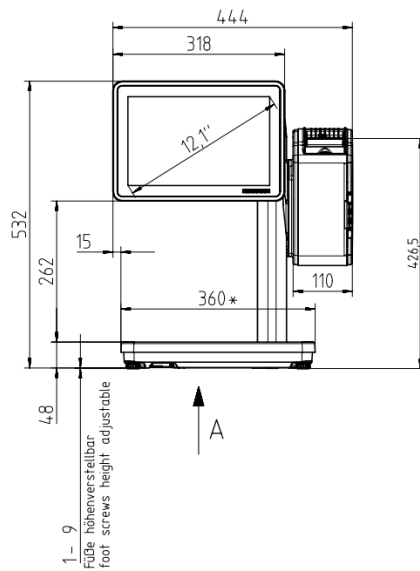
Q1 800 side view, right

Q1 800 front

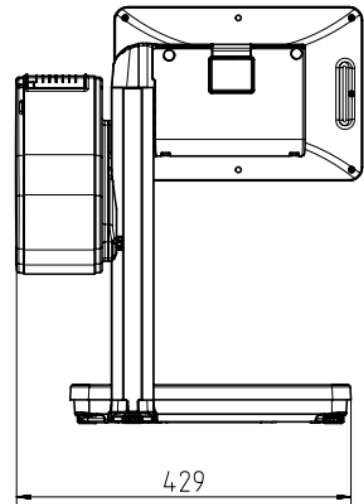
Q1 800 side view, left



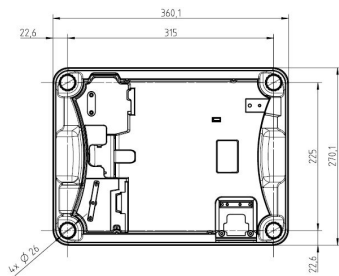
Q1 800 12" side view, left



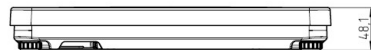
Q1 800 12" front



Q1 800 12" back



QBase bottom



QBase front

*** Dimensions load platter without protective cover**

Bizerba SE & Co. KG
 Wilhelm-Kraut-Straße 65
 72336 Balingen

T +49 7433 12-0
 fax: +49 7433 12-2696
 marketing@bizerba.com

www.bizerba.com