

# Fact Sheet

## iL Professional 50/150 SPM/SP

**BIZERBA**

*The load receptor for perfect hygiene ... the ergonomic iL Professional 50/150 SPM/SP has been designed to meet the hygienic design requirements of EHEDG. This ensures easy cleaning as well as increased hygiene and safety. Perfect for use in the foodstuffs or pharmaceutical industry.*



More information  
High performance  
with a wide range of  
solutions and options.

Specifications	Facts	Details
<b>Weighing ranges</b>	from 3 kg to 150 kg	interval from 1 to 50 g
<b>Load cell</b>	stainless steel load cells	
<b>Dimensions of load platter</b>	335 x 260 mm 500 x 400 mm 600 x 450 mm	
<b>Materials</b>	load carrier, load platter and feet	stainless steel 1.4301, electro-polished
<b>Overall height</b>	Height 103 mm Height 145 mm Height 145 mm	Dimension 335 x 260 mm Dimension 500 x 400 mm Dimension 600 x 450 mm
<b>Mounting method</b>	free-standing	table / floor mount, with / without stand
<b>Protection type</b>	IP69	for load receptor and terminal
<b>Ex version</b>	zone 1/21 zone 2/22	load cells in Ex-ib version for Ex zones 1&21 as well as 2&22 possible
<b>Ambient temperature</b>	Operation: -10 °C to +40 °C Storage: -50 °C to +85 °C	

Options	Facts	Details
<b>Stand</b>	stand on load receptor  stand on load receptor stand on load receptor	swivable terminal / swivable mount for terminals ST, iS30 and iS50 fixed terminal / mount for terminals iS10 and iS20 swivable terminal / swivable mount for terminal iS10 and iS20
<b>Cable connection</b>	load cell cable with connector	measuring cable with connector
<b>Bench</b>	height 550 mm - 565 mm stainless steel 1.4301, electro-polished feet in hygienic design	for dimensions 500 x 400 mm and 600 x 450 mm

## Infographic

Weighing range	Metrologically approved interval	Dimensions	Load cell	max. Preload	Variant			
					Complete stainless steel	Galvanized steel / stainless steel	EX	
3 kg	1 g	335 x 260 mm	PW15	2 kg	X		X	
6 kg	2 g			8 kg	X		X	
15 kg	5 g			14 kg	X		X	
30 kg	10 g			14 kg	X		X	
6/15 kg multi-range scale	2/5 g			0 kg	X		X	
15/30 kg multi-range scale	5/10 g			14 kg	X		X	
15 kg	5 g	500 x 400 mm	PCB	15 kg	X		X	
30 kg	10 g			50 kg	X		X	
60 kg	20 g			70 kg	X		X	
150 kg	50 g			70 kg	X		X	
15/30 kg multi-range scale	5/10 g			600 x 450 mm	50 kg	X		X
30/60 kg multi-range scale	10/20 g				18 kg	X		X
60/150 kg multi-range scale	20/50 g		70 kg	X		X		

## Symbols



Protection class IP69



Ex-Zone 1/21



Ex-Zone 2/22



Single point



DMS load cell



EHEDG



Hygienic design

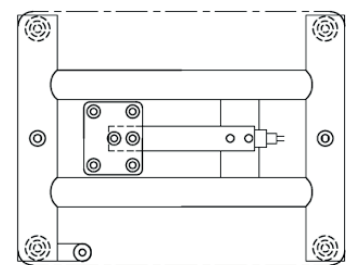
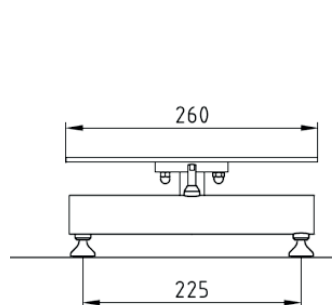
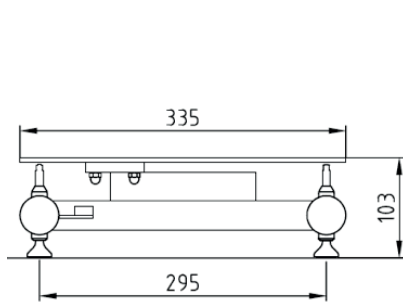


Table

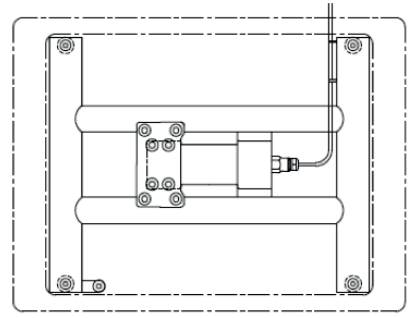
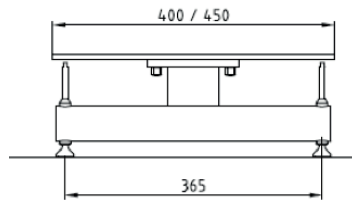
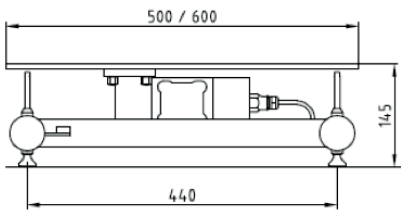


Stainless steel

## Dimensions



iL Professional 50SPM/SP



iL Professional 150SPM/SP

Load plate dimensions: 500 x 400 mm,

600 x 450 mm

---

**Bizerba GmbH & Co. KG**

Wilhelm-Kraut-Straße 65  
72336 Balingen  
Germany  
T +49 7433 12-0  
F +49 7433 12-2696  
marketing@bizerba.com

**[www.bizerba.com](http://www.bizerba.com)**